

FULLY-THREADED SOLID LEVELLING FEET

THE OPTIMAL FULLY-THREADED CHOICE FOR **HEAVY MACHINERY**
AND EQUIPMENT IN **DIVERSE PRODUCTION** ENVIRONMENTS

THEY OFFER **VALUE-FOR-MONEY**
AND ARE AVAILABLE IN **NUMEROUS VARIETIES** AND **FUNCTIONS**



FULLY-THREADED SOLID LEVELLING FEET

The product group of solid fully-threaded levelling feet is the optimal choice for heavy machinery and equipment in diverse production environments. Because of the wide variety and functionality these solid fully-threaded levelling feet offer great value-for-money and for the majority of the models a hygienic-oriented design because of the self-draining surfaces.

The reliability of the solid fully-threaded levelling feet has been appreciated by customers world-wide for more than 25 years and the current product portfolio is a result of a continuous innovative approach and market feedback.

Product Group Features

- Designed for high load and high pull
- Design and patent protected
- Wide variety in footplate design and functionality
- Unlimited customized height variations
- Several thousand different variations (weight load, height-adjustment, flexible mounting parts)
- Solid fully-threaded hygienic oriented levelling feet with self-draining surfaces and limited cleaning effort
- Optional vulcanized FDA-approved, anti-vibration, anti-slip rubber blocks out bacteria underneath the footplate
- Stainless steel AISI 304/A2, 1.4301. Optional AISI 316/A4, 1.4401
- Bolts, nuts, washers, welding plates and plastic bushings can be supplied



HXG/HXG AS

Special Features

- Footplate diameter Ø105 - Ø125
- Weight load up to 110.000 N
- Hygienic-oriented design due to self-draining surfaces
- Admits up to 9° slope on floors and equipment
- Optional vulcanized, FDA-approved, anti-vibration, anti-slip rubber

166



KG/KG AS

Special Features

- Footplate diameter Ø90 - Ø180
- Weight load up to 120.000 N
- Admits up to 8° slope on floors and equipment
- Optional anti-vibration and anti-slip rubber

172



HXJ/HXJ AS

Special Features

- Footplate diameter Ø105 - Ø125
- Weight load up to 110.000 N
- Hygienic-oriented design due to self-draining surfaces
- Admits up to 9° slope on floors and equipment
- Fixing to the floor
- Optional vulcanized, FDA-approved, anti-vibration, anti-slip rubber

168



KJ/KJ AS

Special Features

- Footplate diameter Ø90 - Ø180
- Weight load up to 120.000 N
- Admits up to 8° slope on floors and equipment
- Fixing to the floor
- Optional anti-vibration and anti-slip rubber

174



HXGT/HXGT AS

Special Features

- Footplate diameter Ø105 - Ø125
- Weight load up to 110.000 N
- Hygienic-oriented design due to self-draining surfaces
- The footplate and spindle are two separate parts
- Diametrically centered elevation on the footplate
- Admits up to 15° slope on floors and equipment
- Optional vulcanized, FDA-approved, anti-vibration, anti-slip rubber

170



G/G AS

Special Features

- Footplate diameter Ø90 - Ø180
- Weight load up to 120.000 N
- Admits up to 1° slope on floors and equipment
- Optional anti-vibration and anti-slip rubber

176

FULLY-THREADED SOLID LEVELLING FEET

The product group of solid fully-threaded levelling feet is the optimal choice for heavy machinery and equipment in diverse production environments. Because of the wide variety and functionality these solid fully-threaded levelling feet offer great value-for-money and for the majority of the models a hygienic-oriented design because of the self-draining surfaces.

The reliability of the solid fully-threaded levelling feet has been appreciated by customers world-wide for more than 25 years and the current product portfolio is a result of a continuous innovative approach and market feedback.

Product Group Features

- Designed for high load and high pull
- Design and patent protected
- Wide variety in footplate design and functionality
- Unlimited customized height variations
- Several thousand different variations (weight load, height-adjustment, flexible mounting parts)
- Solid fully-threaded hygienic oriented levelling feet with self-draining surfaces and limited cleaning effort
- Optional vulcanized FDA-approved, anti-vibration, anti-slip rubber blocks out bacteria underneath the footplate
- Stainless steel AISI 304/A2, 1.4301. Optional AISI 316/A4, 1.4401
- Low-friction washer between spindle and footplate ensures easy adjustment
- Bolts, nuts, washers, welding plates and plastic bushings can be supplied



J/J AS

Special Features

- Footplate diameter Ø90 - Ø180
- Weight load up to 120.000 N
- Admits up to 1° slope on floors and equipment
- Fixing to the floor
- Optional anti-vibration and anti-slip rubber

178



KT/KT AS

Special Features

- Footplate diameter Ø90 - Ø180
- Weight load up to 200.000 N
- The footplate and spindle are two separate parts
- Diametrically centered depression in the footplate
- Admits up to 20° slope on floors and equipment
- Optional anti-vibration and anti-slip rubber

184



CF/CF AS

Special Features

- Footplate diameter Ø110 - Ø180
- Weight load up to 120.000 N
- Decentered spindle in the footplate
- Admits up to 1° slope on floors and equipment
- Fixing to the floor
- Optional anti-vibration and anti-slip rubber

180



DECLARATION OF CONFORMITY

This declaration of conformity lists all the directives and standards that NGI adheres to. This ensures that products from NGI are always in compliance with currently valid requirements.

186



KCF/KCF AS

Special Features

- Footplate diameter Ø110
- Weight load up to 100.000 N
- Decentered spindle in the footplate
- Admits up to 8° slope on floors and equipment
- Fixing to the floor
- Optional anti-vibration and anti-slip rubber

182

ACCESSORIES

SOLID FULLY-THREADED

NGI is able to deliver all necessary accessories, which ensures a quick and easy installation of the levelling foot. In addition to supplying standardized accessories we are also able to supply customized accessories.

VISIT OUR WEBSITE
TO LEARN MORE

[WWW.NGI-GLOBAL.COM/PRODUCTS/
LEVELLING-FEET/SOLID-FULLY-THREADED](http://WWW.NGI-GLOBAL.COM/PRODUCTS/LEVELLING-FEET/SOLID-FULLY-THREADED)



NUTS & WASHERS

- Stainless steel AISI 304/A2, 1.4301
- Standard nuts (DIN 934)
- Standard counter nuts (DIN 439)
- Standard flat washers (DIN 125)
- Standard fender washers (DIN 9010)
- All dimensions available

304



WELDING PLATES

- Stainless steel AISI 304/A2, 1.4301
- Squared welding plates
- Round welding plates
- All dimensions available

308



PLASTIC BUSHINGS

- Squared plastic bushings
- Round plastic bushings
- Many dimensions available

310



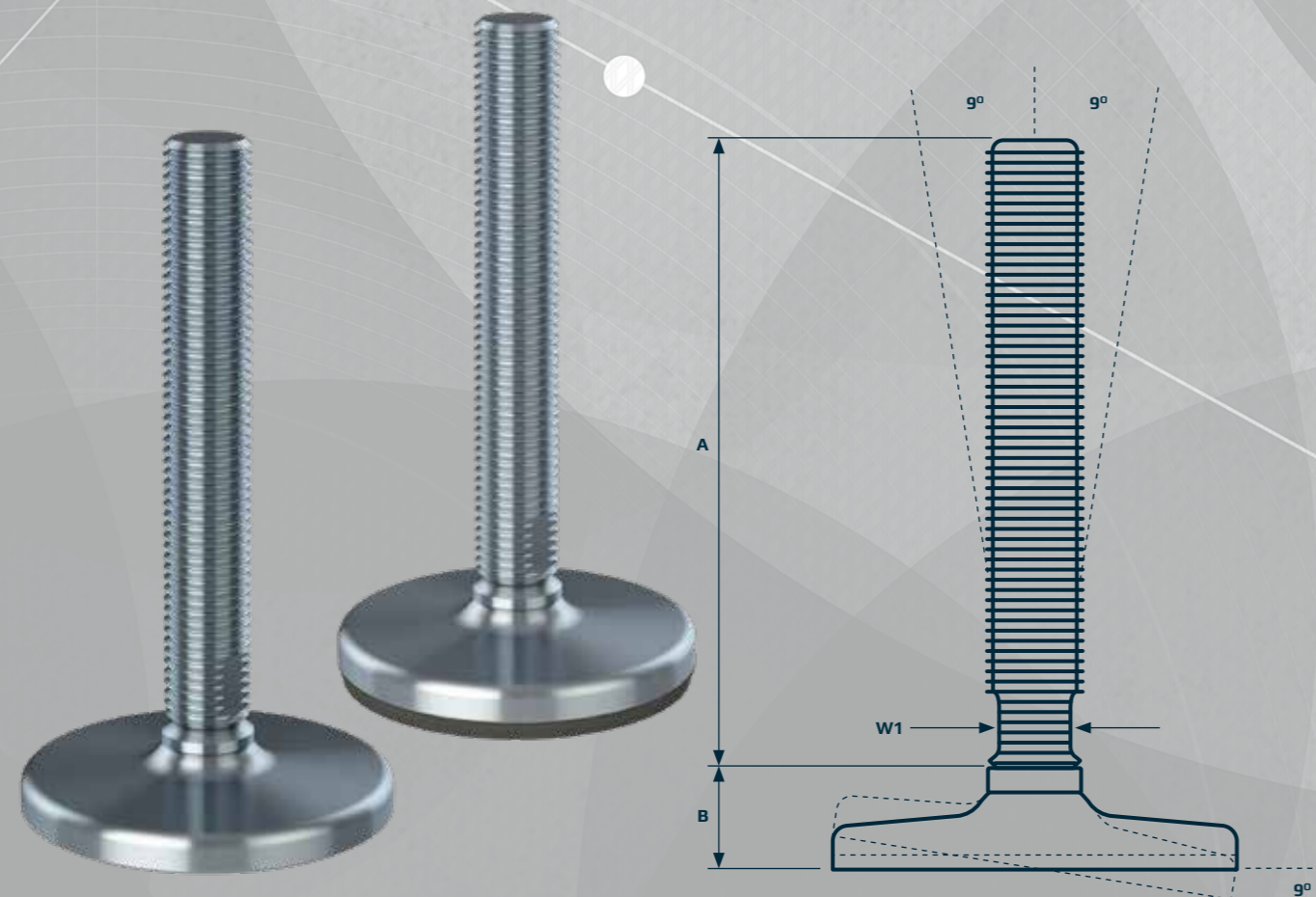
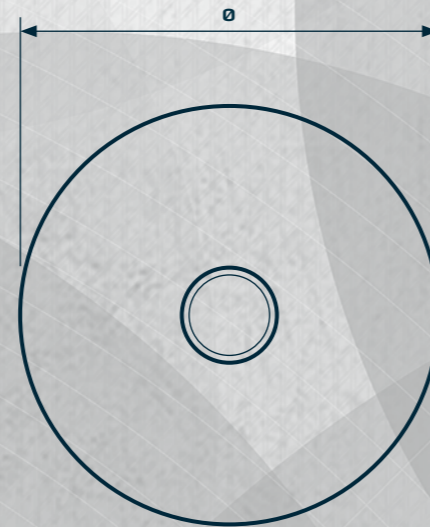
SOLID FULLY-THREADED HXG/HXG AS

The design and patent protected solid HXG and HXG AS levelling foot is the optimal choice for heavy machinery and equipment in diverse production environments and the most hygienic solid fully-threaded levelling foot.

Reduced cleaning effort is obtained by the hygienic-oriented design with self-draining surfaces.

The joined connection between the spindle and the footplate is designed for high load and high pull, and the low-friction washer between the spindle and footplate ensures easy adjustment under high pressure.

The HXG AS is supplied with vulcanized FDA-approved, anti-vibration, anti-slip rubber, which blocks out bacteria underneath the footplate and creates a hygienic seal to the floor.



SOLID FULLY-THREADED LEVELLING FEET HXG/HXG AS



PRODUCT CODE FOOT - THREAD - SPINDLE TYPE

EXAMPLE HXG105-16-70

FOOT PLATE



| TYPE | DIAMETER Ø [mm] | HEIGHT B [mm] | NOM LOAD COMPRESSION [N] | ITEM CODE |
|-------|-----------------------|---------------------|--------------------------------|-----------|
| 80 | 79 | 26 | 110.000 | HXG080 |
| 80AS | 79 | 31 | 35.000 | HXG-AS080 |
| 105 | 104 | 26 | 110.000 | HXG105 |
| 105AS | 104 | 31 | 55.000 | HXG-AS105 |
| 125 | 124 | 26 | 110.000 | HXG125 |
| 125AS | 124 | 31 | 110.000 | HXG-AS125 |
| 150 | 149 | 26 | 110.000 | HXG150 |
| 150AS | 149 | 31 | 110.000 | HXG-AS150 |

SPINDLE



| TYPE ▶ | 70 | 100 | 150 | 180 | 230 | 310 | W1 [mm] |
|------------------|--------|---------|---------|---------|---------|---------|------------|
| THREAD | [N] | [N] | [N] | [N] | [N] | [N] | |
| M16 | 32.000 | 32.000 | 29.000 | 20.000 | 12.500 | 7.500 | 13 |
| M20 | 49.000 | 49.000 | 49.000 | 48.000 | 30.000 | 15.000 | 17 |
| M24 | - | 70.000 | 70.000 | 70.000 | 65.000 | 35.000 | 19 |
| * M30 | - | 112.500 | 112.500 | 112.500 | 112.500 | 95.000 | 24 |
| * M36 | - | 162.000 | 162.000 | 162.000 | 162.000 | 162.000 | 30 |
| * M42 | - | 220.000 | 220.000 | 220.000 | 220.000 | 220.000 | 36 |
| HEIGHT A [mm] | 73 | 107 | 162 | 195 | 244 | 327 | |



Total height = A + B
 Maximum nominal load = Lowest value for footplate or spindle
 Tolerance of height A = +/-1,5 mm
 AS = Anti-Slip

* Adjust A +4 mm and B -4 mm if footplate is combined with spindle M30, M36 or M42

SOLID FULLY-THREADED HXJ/HXJ AS

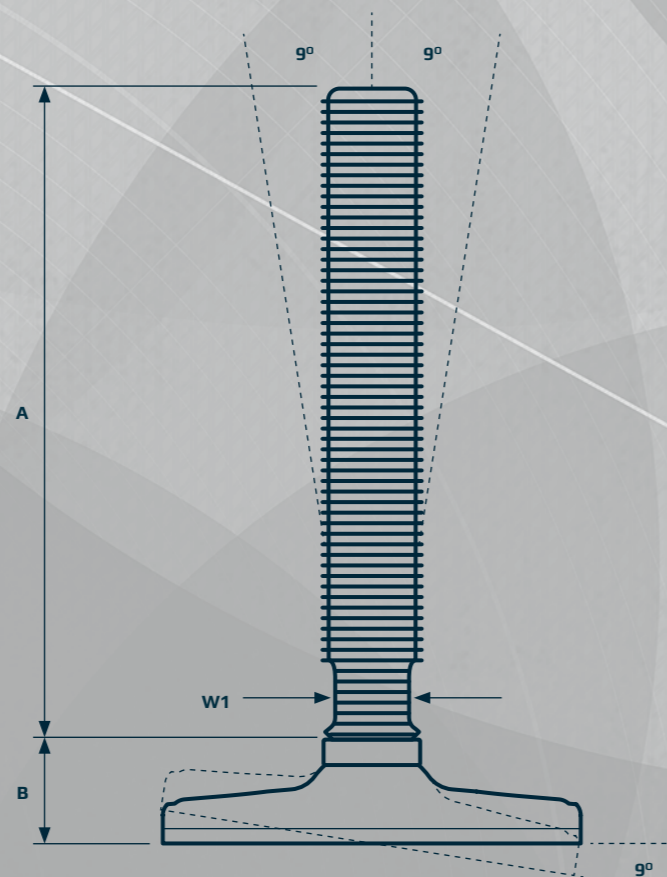
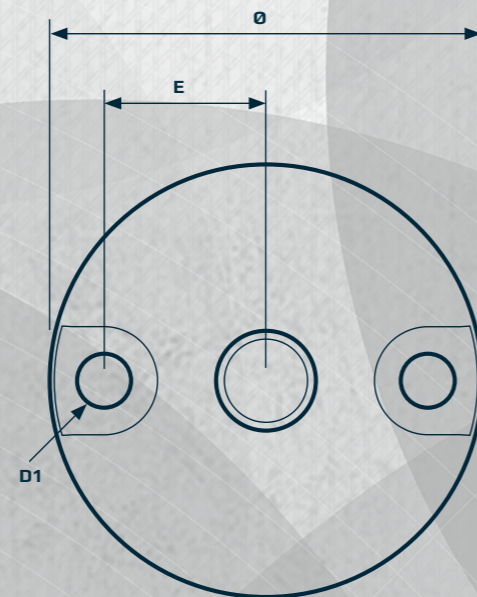
The design and patent protected solid HXJ and HXJ AS levelling foot is the optimal choice for heavy machinery and equipment in diverse production environments.

Reduced cleaning effort is obtained by the hygienic-oriented design with self-draining surfaces.

It is the most hygienic solid fully-threaded levelling foot that can be fastened to the floor by the two fixing holes in the footplate. Bolts, nuts and washers can be supplied.

The joined connection between the spindle and the footplate is designed for high load and high pull, and the low-friction washer between the spindle and footplate ensures easy adjustment under high pressure.

The HXJ AS is supplied with vulcanized FDA-approved, anti-vibration, anti-slip rubber, which blocks out bacteria underneath the footplate and creates a hygienic seal to the floor.



SOLID FULLY-THREADED LEVELLING FEET HXJ/HXJ AS



| PRODUCT CODE | FOOT - THREAD - SPINDLE TYPE |
|--------------|------------------------------|
| EXAMPLE | HXJ105-16-70 |

FOOT PLATE



| TYPE | DIAMETER Ø [mm] | HEIGHT B [mm] | HOLE POSITION E [mm] | HOLE DIAMETER D1 [mm] | NOM LOAD COMPRESSION [N] | ITEM CODE |
|-------|-----------------------|---------------------|----------------------------|-----------------------------|--------------------------------|-----------|
| 80 | 79 | 26 | 29 | 8,40 | 110.000 | HXJ080 |
| 80AS | 79 | 31 | 29 | 8,40 | 35.000 | HXJ-AS080 |
| 105 | 104 | 26 | 38 | 13 | 110.000 | HXJ105 |
| 105AS | 104 | 31 | 38 | 13 | 55.000 | HXJ-AS105 |
| 125 | 124 | 26 | 47 | 13 | 110.000 | HXJ125 |
| 125AS | 124 | 31 | 47 | 13 | 110.000 | HXJ-AS125 |
| 150 | 149 | 26 | 62 | 13 | 110.000 | HXJ150 |
| 150AS | 149 | 31 | 62 | 13 | 110.000 | HXJ-AS150 |

SPINDLE



| TYPE ▶ | 70 | 100 | 150 | 180 | 230 | 310 | W1 [mm] |
|------------------|--------|---------|---------|---------|---------|---------|------------|
| THREAD | [N] | [N] | [N] | [N] | [N] | [N] | |
| M16 | 32.000 | 32.000 | 29.000 | 20.000 | 12.500 | 7.500 | 13 |
| M20 | 49.000 | 49.000 | 49.000 | 48.000 | 30.000 | 15.000 | 17 |
| M24 | - | 70.000 | 70.000 | 70.000 | 65.000 | 35.000 | 19 |
| * M30 | - | 112.500 | 112.500 | 112.500 | 112.500 | 95.000 | 24 |
| * M36 | - | 162.000 | 162.000 | 162.000 | 162.000 | 162.000 | 30 |
| * M42 | - | 220.000 | 220.000 | 220.000 | 220.000 | 220.000 | 36 |
| HEIGHT A [mm] | 73 | 107 | 160 | 195 | 244 | 327 | |



Total height = A + B
 Maximum nominal load = Lowest value for footplate or spindle
 Tolerance of height A = +/-1,5 mm
 AS = Anti-Slip

* Adjust A +4 mm and B -4 mm if footplate is combined with spindle M30, M36 or M42



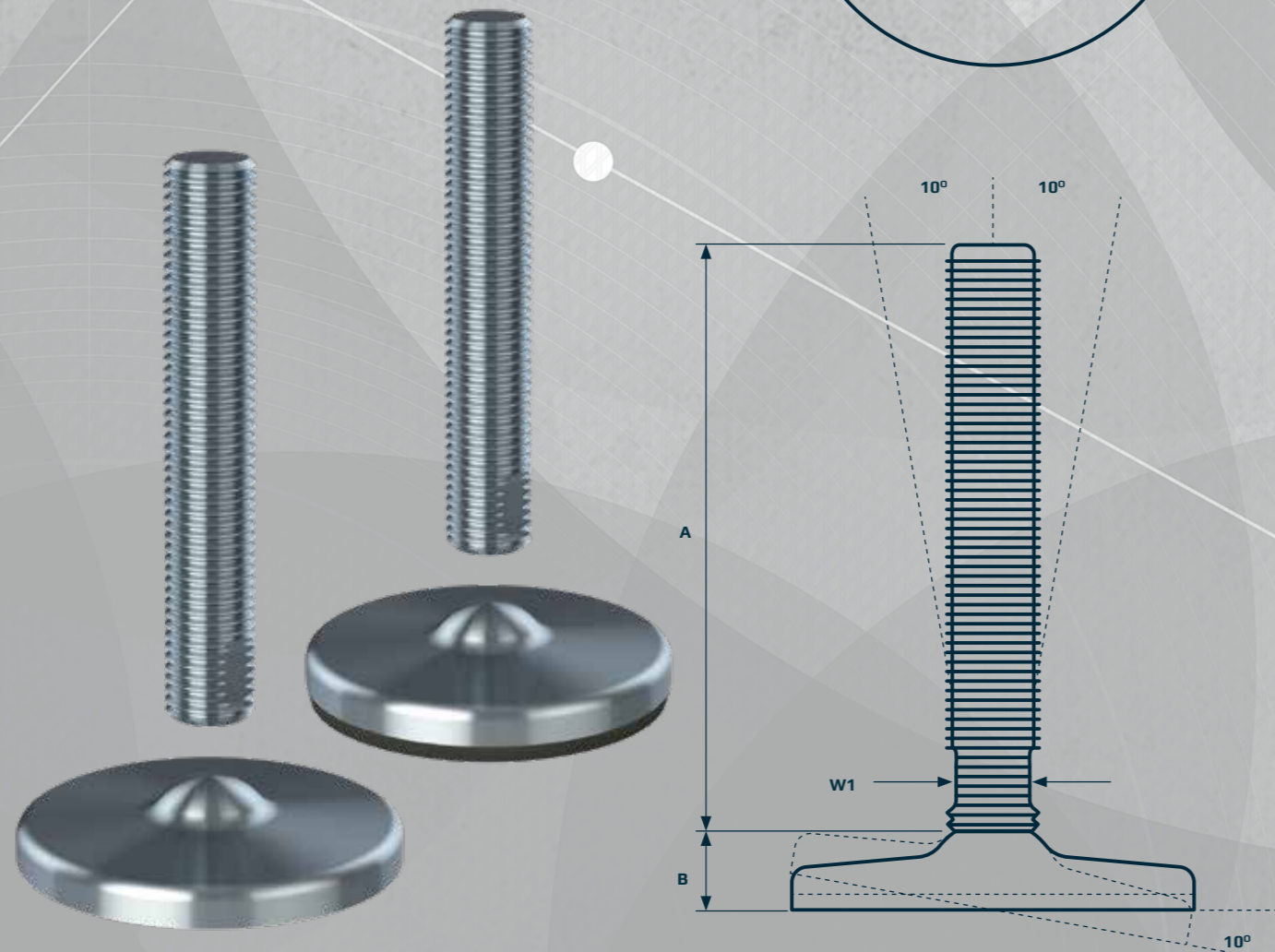
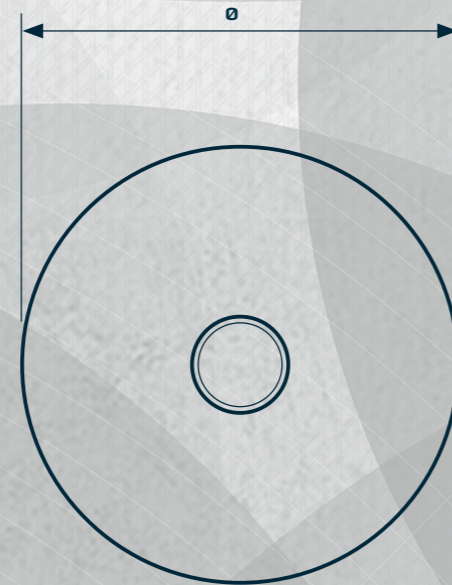
SOLID FULLY-THREADED HXGT/HXGT AS

The design and patent protected solid HXGT and HXGT AS levelling foot is the optimal choice for heavy machinery and equipment in diverse production environments and the most hygienic solid fully-threaded levelling foot.

The HXGT and HXGT AS consist of a separated footplate and spindle connected by the diametrically centered elevation on the footplate.

Reduced cleaning effort is obtained by the hygienic-oriented design with self-draining surfaces.

The HXGT AS is supplied with vulcanized FDA-approved, anti-vibration, anti-slip rubber, which blocks out bacteria underneath the footplate and creates a hygienic seal to the floor.



SOLID FULLY-THREADED LEVELLING FEET HXGT/HXGT AS



PRODUCT CODE FOOT - THREAD - SPINDLE TYPE

EXAMPLE HXGT105-24-70

FOOT PLATE



| TYPE | DIAMETER \varnothing [mm] | HEIGHT B [mm] | NOM LOAD COMPRESSION [N] | ITEM CODE |
|-------|-----------------------------------|---------------------|--------------------------------|------------|
| 80 | 79 | 21 | 110.000 | HXGT080 |
| 80AS | 79 | 26 | 35.000 | HXGT-AS080 |
| 105 | 104 | 21 | 110.000 | HXGT105 |
| 105AS | 104 | 26 | 55.000 | HXGT-AS105 |
| 125 | 124 | 21 | 110.000 | HXGT125 |
| 125AS | 124 | 26 | 110.000 | HXGT-AS125 |
| 150 | 149 | 21 | 110.000 | HXGT150 |
| 150AS | 149 | 26 | 110.000 | HXGT-AS150 |

SPINDLE



| TYPE ▶ | 70 | 100 | 150 | 180 | 230 | 310 | W1 [mm] |
|--------------------|---------|---------|---------|---------|---------|---------|------------|
| THREAD | [N] | [N] | [N] | [N] | [N] | [N] | |
| * M24 | 70.000 | 70.000 | 70.000 | 70.000 | 65.000 | 35.000 | 19 |
| ** M30 | 112.500 | 112.500 | 112.500 | 112.500 | 112.500 | 95.000 | 24 |
| ** M36 | - | 162.000 | 162.000 | 162.000 | 162.000 | 162.000 | 30 |
| ** M42 | - | 220.000 | 220.000 | 220.000 | 220.000 | 220.000 | 36 |
| HEIGHT A [mm] ▶ | 70 | 100 | 150 | 180 | 230 | 310 | |



Total height = A + B
 Maximum nominal load = Lowest value for footplate or spindle
 Tolerance of height A = +/- 1,5 mm
 AS = Anti-Slip

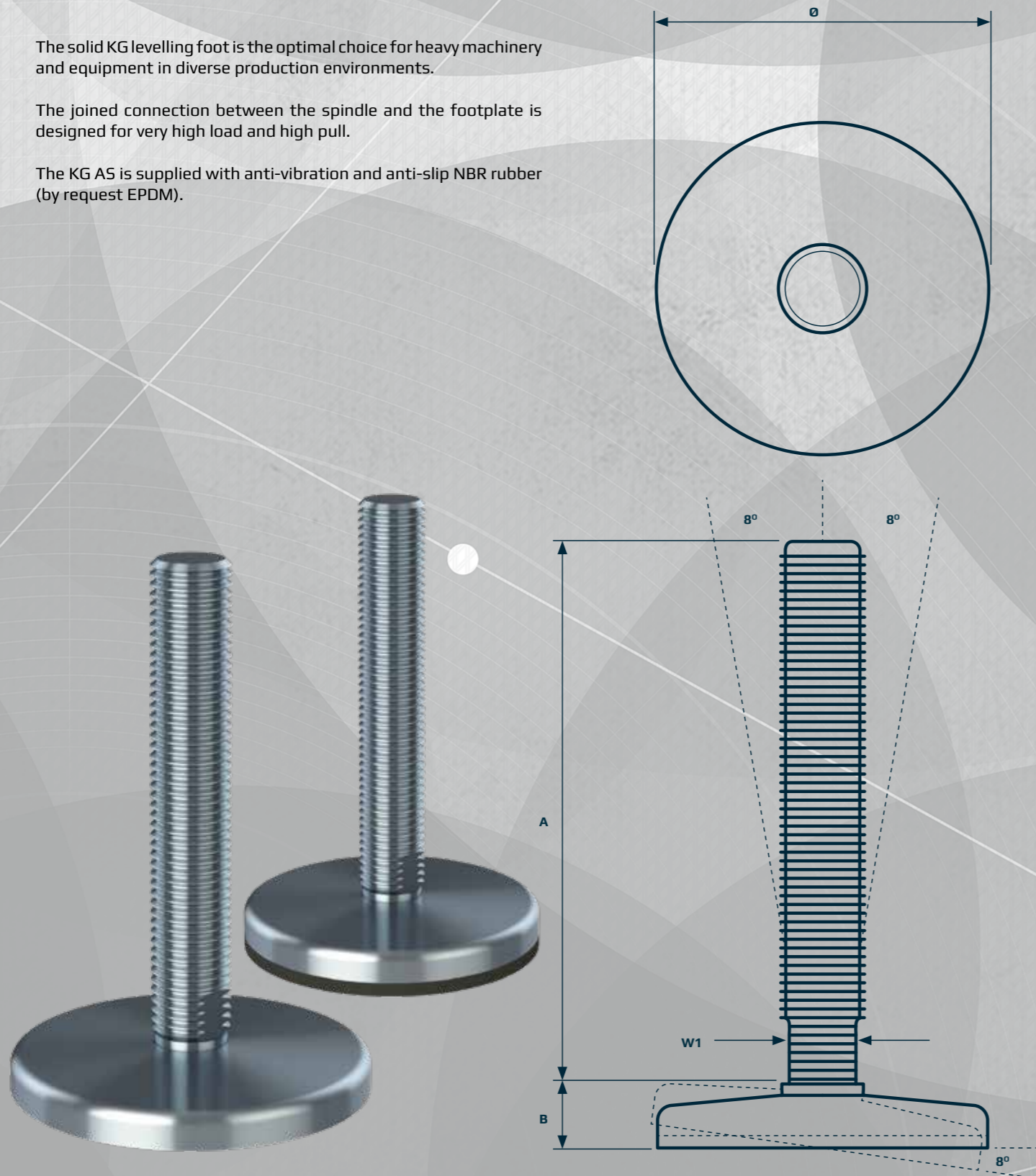
* Adjust A +1 mm and B -1 mm if footplate is combined with spindle M24
 ** Adjust A +2 mm and B -2 mm if footplate is combined with spindle M30, M36 or M42

SOLID FULLY-THREADED KG/KG AS

The solid KG levelling foot is the optimal choice for heavy machinery and equipment in diverse production environments.

The joined connection between the spindle and the footplate is designed for very high load and high pull.

The KG AS is supplied with anti-vibration and anti-slip NBR rubber (by request EPDM).



SOLID FULLY-THREADED LEVELLING FEET KG/KG AS



FOOT PLATE



SPINDLE



| PRODUCT CODE | FOOT - THREAD - SPINDLE TYPE |
|--------------|------------------------------|
| EXAMPLE | KG090 - 12 - 70 |

| TYPE | DIAMETER Ø [mm] | HEIGHT B [mm] | NOM LOAD COMPRESSION [N] | ITEM CODE |
|-------|-----------------|---------------|--------------------------|-----------|
| 90 | 89 | 17 | 70.000 | KG090 |
| 90AS | 89 | 22 | 70.000 | KG-AS090 |
| 110 | 109 | 17 | 70.000 | KG110 |
| 110AS | 109 | 22 | 70.000 | KG-AS110 |
| 150 | 149 | 19 | 120.000 | KG150 |
| 150AS | 149 | 24 | 120.000 | KG-AS150 |
| 180 | 179 | 20 | 120.000 | KG180 |
| 180AS | 179 | 25 | 120.000 | KG-AS180 |

| TYPE ▶ | 70 | 100 | 150 | 180 | 230 | 310 | W1 [mm] |
|-----------------|--------|---------|---------|---------|---------|---------|---------|
| THREAD | [N] | [N] | [N] | [N] | [N] | [N] | [mm] |
| * M12 | 17.000 | 17.000 | 8.000 | 5.000 | 3.000 | - | 10 |
| M16 | - | 32.000 | 29.000 | 20.000 | 12.500 | 7.500 | 13 |
| M20 | - | 49.000 | 49.000 | 48.000 | 30.000 | 15.000 | 17 |
| ** M24 | - | 70.000 | 70.000 | 70.000 | 65.000 | 35.000 | 19 |
| ** M30 | - | 112.500 | 112.500 | 112.500 | 112.500 | 95.000 | 24 |
| ** M36 | - | 162.000 | 162.000 | 162.000 | 162.000 | 162.000 | 30 |
| ** M42 | - | 220.000 | 220.000 | 220.000 | 220.000 | 220.000 | 36 |
| HEIGHT A [mm] ▶ | 70 | 102 | 144 | 177 | 227 | 310 | |

Total height = A + B
 Maximum nominal load = Lowest value for footplate or spindle
 Tolerance of height A = +/- 1,5 mm
 AS = Anti-Slip

* M12 spindle not supplied for KG150 and KG180 footplates
 ** Adjust A -2 mm and B +2 mm if footplate is combined with spindle M24, M30, M36 or M42



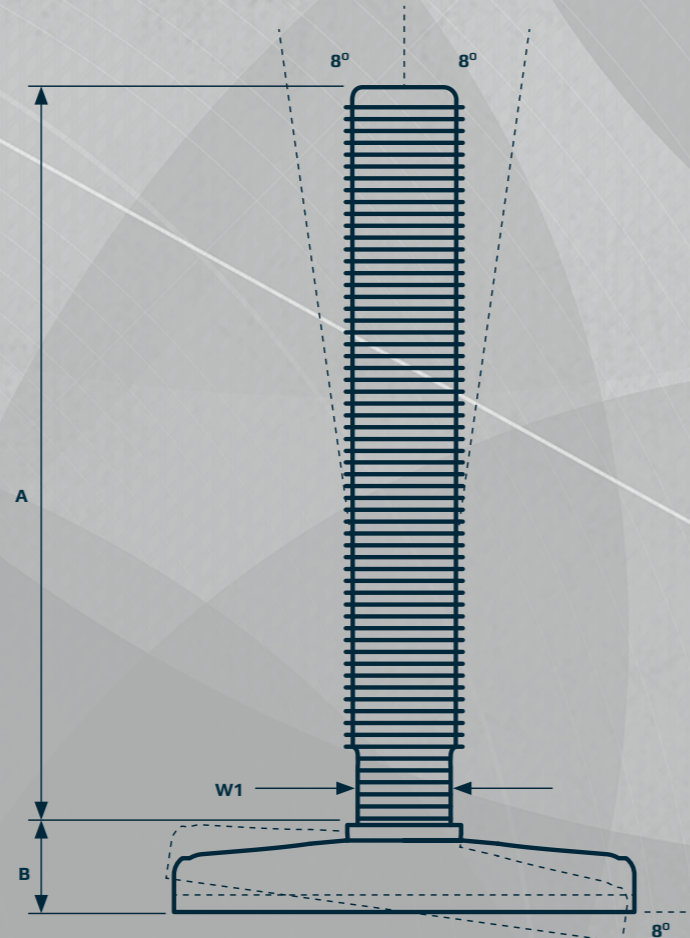
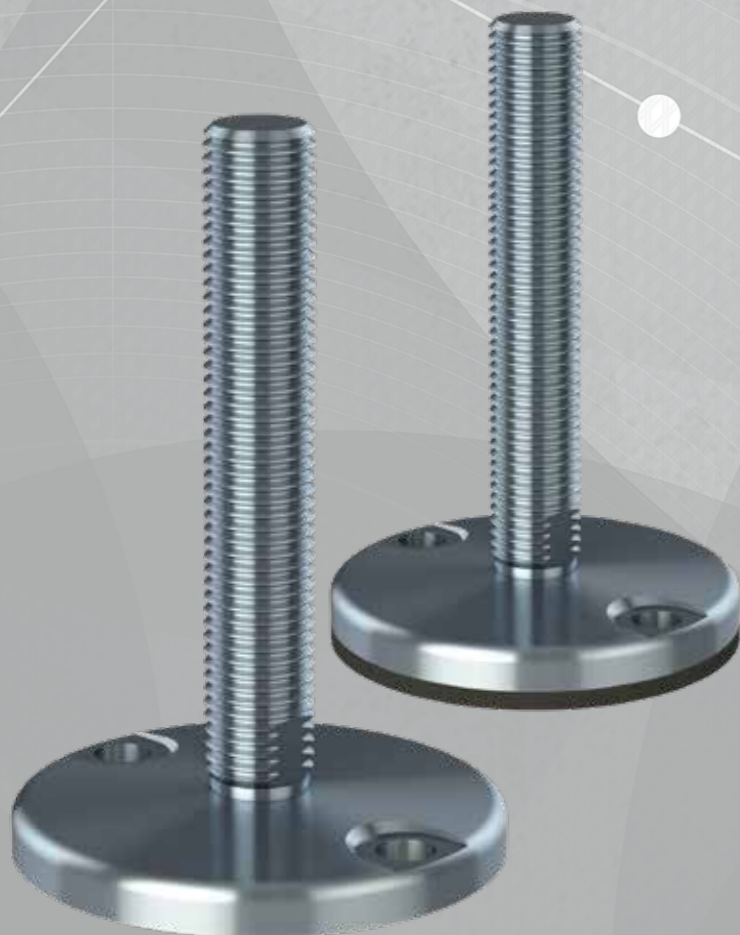
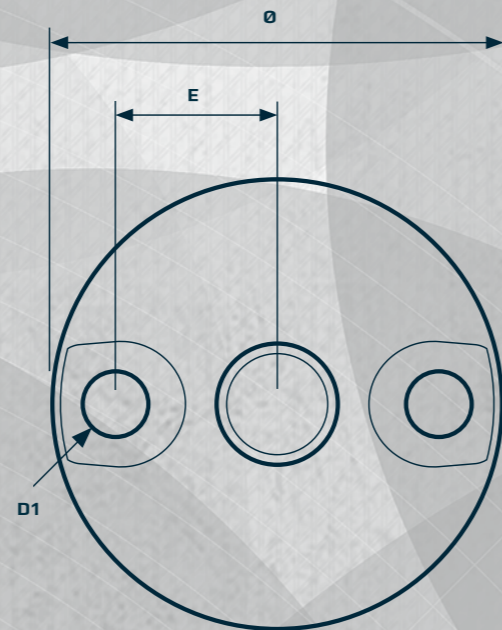
SOLID FULLY-THREADED KJ/KJ AS

The solid KJ levelling foot is the optimal choice for heavy machinery and equipment in diverse production environments.

The foot can be fastened to the floor by the two fixing holes in the footplate. Bolts, nuts and washers can be supplied.

The joined connection between the spindle and the footplate is designed for very high load and high pull.

The KJ AS is supplied with anti-vibration and anti-slip NBR rubber (by request EPDM).



SOLID FULLY-THREADED LEVELLING FEET KJ/KJ AS



FOOT PLATE



SPINDLE



| PRODUCT CODE | FOOT - THREAD - SPINDLE TYPE |
|--------------|------------------------------|
| EXAMPLE | KJ090-12-70 |

| TYPE | DIAMETER Ø [mm] | HEIGHT B [mm] | HOLE POSITION E [mm] | HOLE DIAMETER D1 [mm] | NOM LOAD COMPRESSION [N] | ITEM CODE |
|-------|-----------------------|---------------------|----------------------------|-----------------------------|--------------------------------|-----------|
| 90 | 89 | 17 | 32 | 13 | 70.000 | KJ090 |
| 90AS | 89 | 22 | 32 | 13 | 70.000 | KJ-AS090 |
| 110 | 109 | 17 | 44 | 13 | 70.000 | KJ110 |
| 110AS | 109 | 22 | 44 | 13 | 70.000 | KJ-AS110 |
| 150 | 149 | 19 | 62 | 16 | 120.000 | KJ150 |
| 150AS | 149 | 24 | 62 | 16 | 120.000 | KJ-AS150 |
| 180 | 179 | 20 | 74 | 16 | 120.000 | KJ180 |
| 180AS | 179 | 25 | 74 | 16 | 120.000 | KJ-AS180 |

| TYPE ▶ | 70 | 100 | 150 | 180 | 230 | 310 | W1 [mm] |
|------------------|--------|---------|---------|---------|---------|---------|------------|
| THREAD | [N] | [N] | [N] | [N] | [N] | [N] | |
| * M12 | 17.000 | 17.000 | 8.000 | 5.000 | 3.000 | - | 10 |
| M16 | - | 32.000 | 29.000 | 20.000 | 12.500 | 7.500 | 13 |
| M20 | - | 49.000 | 49.000 | 48.000 | 30.000 | 15.000 | 17 |
| ** M24 | - | 70.000 | 70.000 | 70.000 | 65.000 | 35.000 | 19 |
| ** M30 | - | 112.500 | 112.500 | 112.500 | 112.500 | 95.000 | 24 |
| ** M36 | - | 162.000 | 162.000 | 162.000 | 162.000 | 162.000 | 30 |
| ** M42 | - | 220.000 | 220.000 | 220.000 | 220.000 | 220.000 | 36 |
| HEIGHT A [mm] | 70 | 102 | 144 | 177 | 227 | 310 | |

Total height = A + B
 Maximum nominal load = Lowest value for footplate or spindle
 Tolerance of height A = +/-1,5 mm
 AS = Anti-Slip

* M12 spindle not supplied for footplate KJ150 and KJ180
 ** Adjust A -2 mm and B +2 mm if footplate is combined with spindle M24, M30, M36 or M42

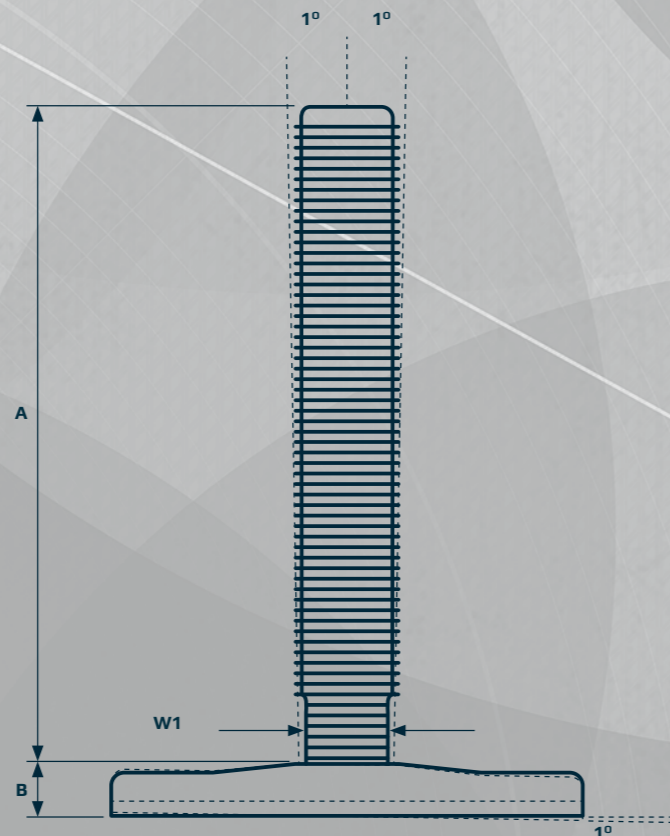
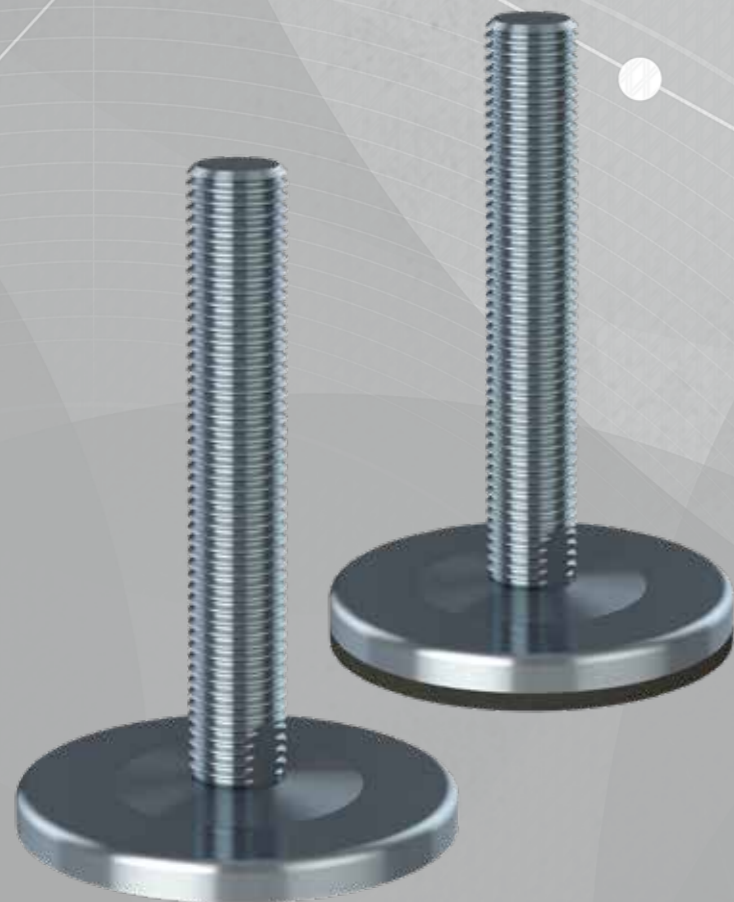
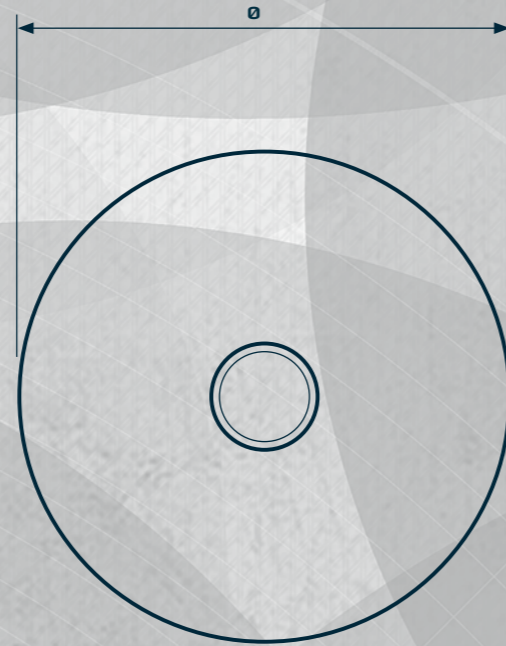


SOLID FULLY-THREADED G/G AS

The solid G levelling foot is the optimal choice for heavy machinery and equipment in diverse production environments.

The joined connection between the spindle and the footplate is designed for very high load and high pull and fixed mounting on horizontal surfaces.

The G AS is supplied with anti-vibration and anti-slip NBR rubber (by request EPDM).



SOLID FULLY-THREADED LEVELLING FEET G/G AS



FOOT PLATE



SPINDLE



PRODUCT CODE FOOT - THREAD - SPINDLE TYPE

EXAMPLE G090 - 16 - 100

| TYPE | DIAMETER Ø [mm] | HEIGHT B [mm] | NOM LOAD COMPRESSION [N] | ITEM CODE |
|-------|-----------------------|---------------------|--------------------------------|-----------|
| 90 | 89 | 12 | 70.000 | G090 |
| 90AS | 89 | 17 | 70.000 | G-AS090 |
| 110 | 109 | 12 | 70.000 | G110 |
| 110AS | 109 | 17 | 70.000 | G-AS110 |
| 150 | 149 | 12 | 100.000 | G150 |
| 150AS | 149 | 17 | 100.000 | G-AS150 |
| 180 | 179 | 14 | 120.000 | G180 |
| 180AS | 179 | 19 | 120.000 | G-AS180 |

| TYPE ▶ | 100 | 150 | 180 | 230 | 310 | W1 [mm] |
|------------------|---------|---------|---------|---------|---------|------------|
| THREAD | [N] | [N] | [N] | [N] | [N] | |
| M16 | 32.000 | 29.000 | 20.000 | 12.500 | 7.500 | 13 |
| M20 | 49.000 | 49.000 | 48.000 | 30.000 | 15.000 | 17 |
| * M24 | 70.000 | 70.000 | 70.000 | 65.000 | 35.000 | 19 |
| * M30 | 112.500 | 112.500 | 112.500 | 112.500 | 95.000 | 24 |
| * M36 | 162.000 | 162.000 | 162.000 | 162.000 | 162.000 | 30 |
| * M42 | 220.000 | 220.000 | 220.000 | 220.000 | 220.000 | 36 |
| HEIGHT A [mm] | 96 | 152 | 185 | 234 | 310 | |

Total height = A + B
 Maximum nominal load = Lowest value for footplate or spindle
 Tolerance of height A = +/-1,5 mm
 AS = Anti-Slip

* Adjust A -2 mm and B +2 mm if footplate is combined with spindle M24, M30, M36 or M42

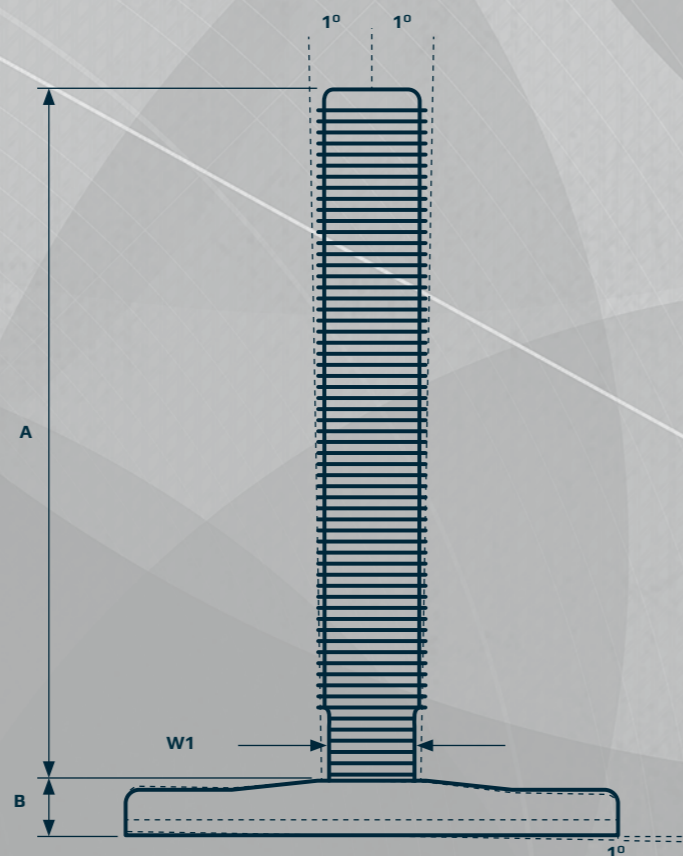
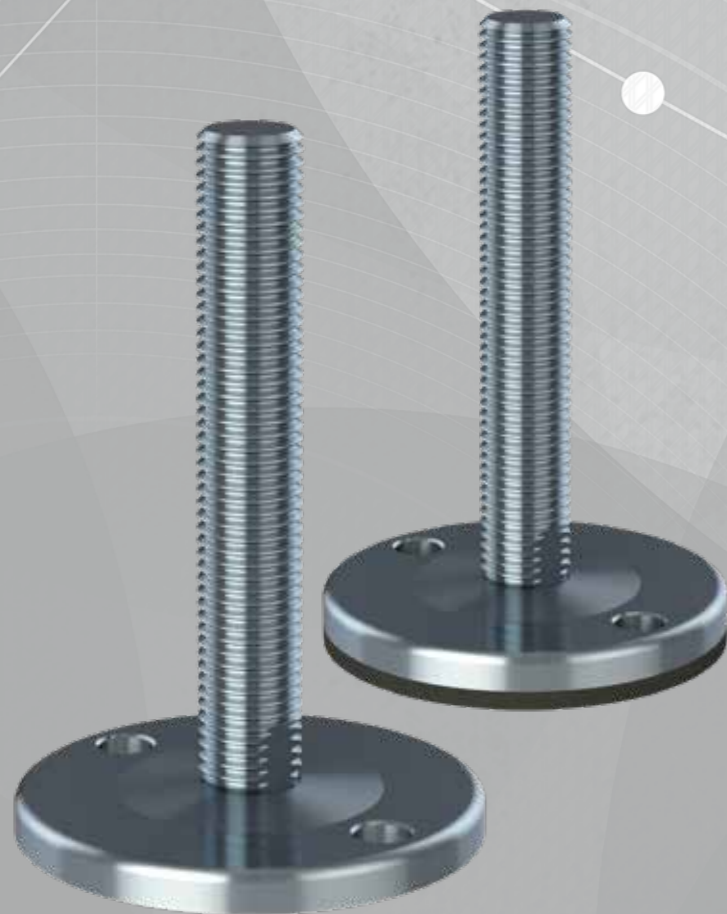
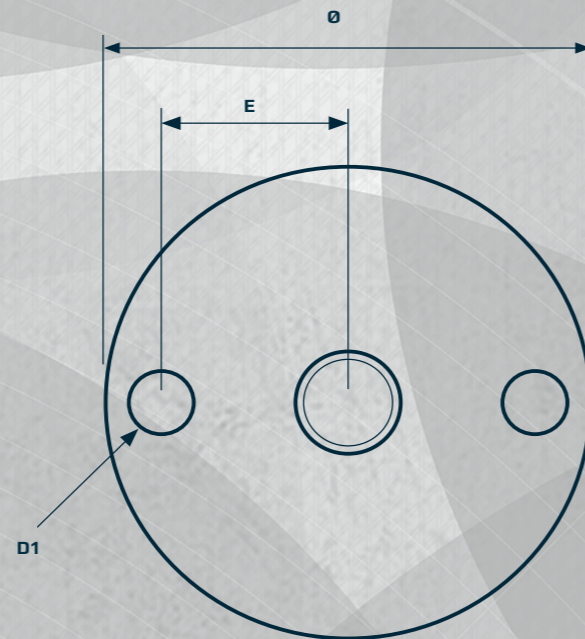
SOLID FULLY-THREADED J/J AS

The solid J levelling foot is the optimal choice for heavy machinery and equipment in diverse production environments.

The foot can be fastened to the floor by the two fixing holes in the footplate. Bolts, nuts and washers can be supplied.

The joined connection between the spindle and the footplate is designed for very high load and high pull and fixed mounting on horizontal surfaces.

The J AS is supplied with anti-vibration and anti-slip NBR rubber (by request EPDM).



SOLID FULLY-THREADED LEVELLING FEET J/J AS

PRODUCT CODE FOOT - THREAD - SPINDLE TYPE

EXAMPLE J090 - 16 - 100



FOOT PLATE



SPINDLE

| TYPE | DIAMETER Ø [mm] | HEIGHT B [mm] | HOLE POSITION E [mm] | HOLE DIAMETER D1 [mm] | NOM LOAD COMPRESSION [N] | ITEM CODE |
|-------|-----------------------|---------------------|----------------------------|-----------------------------|--------------------------------|-----------|
| 90 | 89 | 12 | 32 | 13 | 70.000 | J090 |
| 90AS | 89 | 17 | 32 | 13 | 70.000 | J-AS090 |
| 110 | 109 | 12 | 42 | 13 | 70.000 | J110 |
| 110AS | 109 | 17 | 42 | 13 | 70.000 | J-AS110 |
| 150 | 149 | 12 | 59 | 16 | 100.000 | J150 |
| 150AS | 149 | 17 | 59 | 16 | 100.000 | J-AS150 |
| 180 | 179 | 14 | 74 | 16 | 120.000 | J180 |
| 180AS | 179 | 19 | 74 | 16 | 120.000 | J-AS180 |

| TYPE ▶ | 100 | 150 | 180 | 230 | 310 | W1 [mm] |
|--------------------|---------|---------|---------|---------|---------|------------|
| THREAD | [N] | [N] | [N] | [N] | [N] | |
| M16 | 32.000 | 29.000 | 20.000 | 12.500 | 7.500 | 13 |
| M20 | 49.000 | 49.000 | 48.000 | 30.000 | 15.000 | 17 |
| M24 | 70.000 | 70.000 | 70.000 | 65.000 | 35.000 | 19 |
| M30 | 112.500 | 112.500 | 112.500 | 112.500 | 95.000 | 24 |
| M36 | 162.000 | 162.000 | 162.000 | 162.000 | 162.000 | 30 |
| M42 | 220.000 | 220.000 | 220.000 | 220.000 | 220.000 | 36 |
| HEIGHT A [mm] ▶ | 96 | 152 | 185 | 234 | 310 | |



Total height
Maximum nominal load
Tolerance of height A
AS

= A + B
= Lowest value for footplate or spindle
= +/-1,5 mm
= Anti-Slip



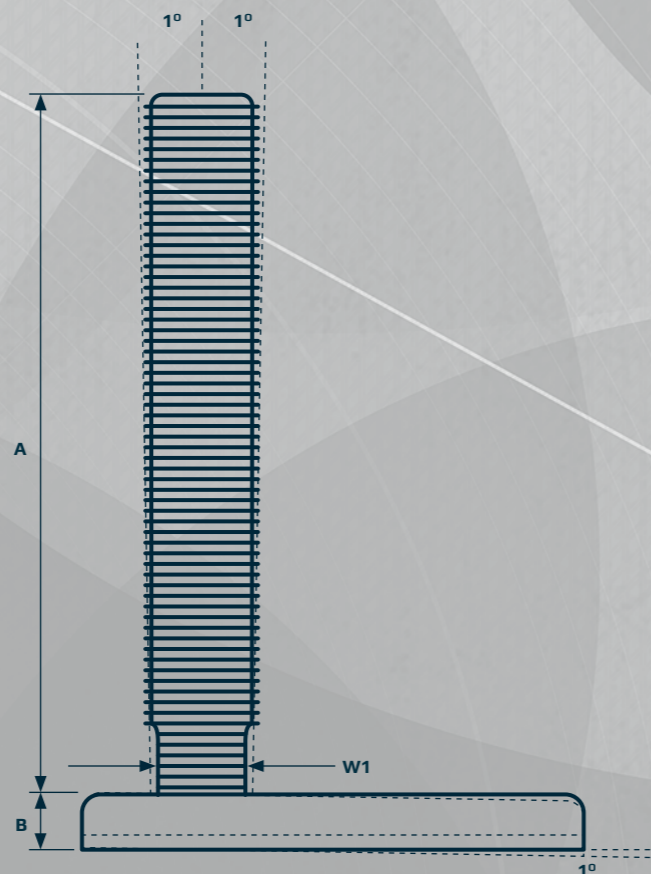
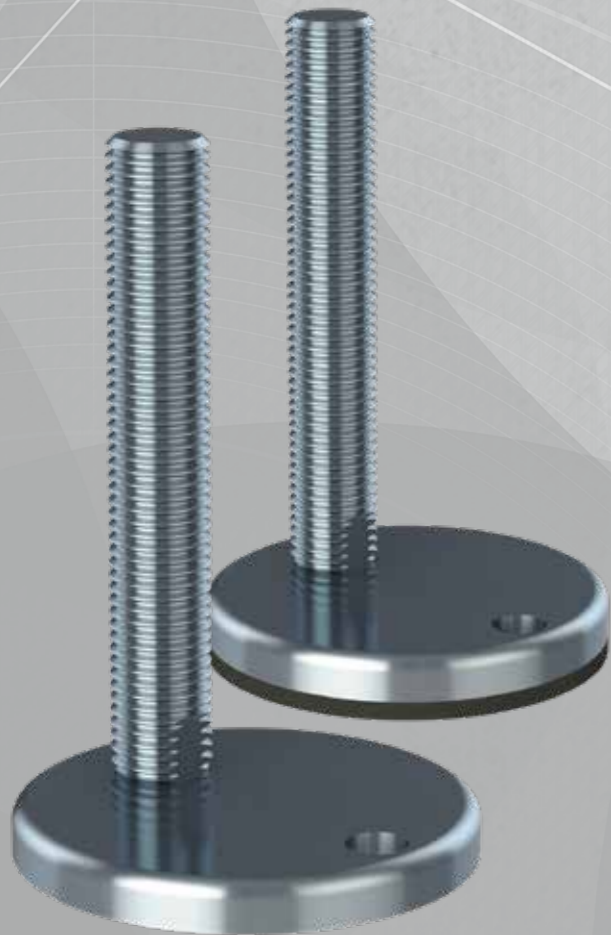
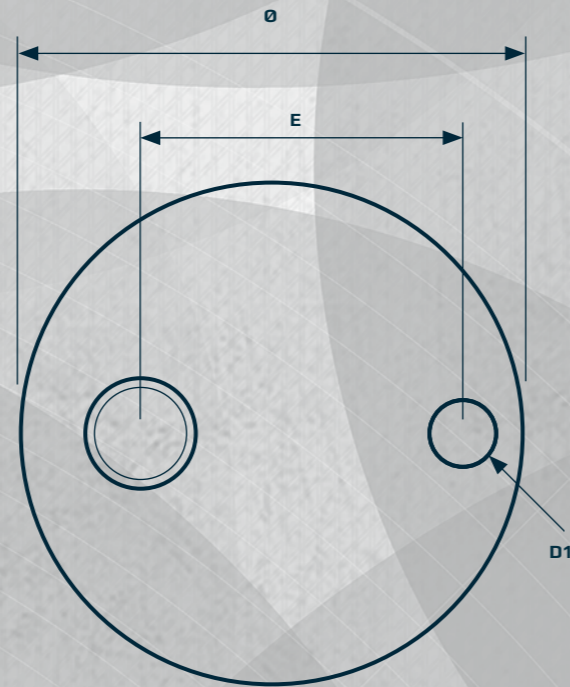
SOLID FULLY-THREADED CF/CF AS

The solid CF levelling foot is the optimal choice for heavy machinery and equipment in diverse production environments.

The foot can easily be fastened to the floor by the decentered fixing hole in the footplate. Bolt, nut and washer can be supplied.

The joined connection between the decentered spindle and the footplate is designed for high load and fixed mounting on horizontal surfaces.

The CF AS is supplied with anti-vibration and anti-slip NBR rubber (by request EPDM).



SOLID FULLY-THREADED LEVELLING FEET CF/CF AS



| PRODUCT CODE | FOOT - THREAD - SPINDLE TYPE |
|--------------|------------------------------|
| EXAMPLE | CF110-16-100 |

FOOT PLATE



| TYPE | DIAMETER Ø [mm] | HEIGHT B [mm] | HOLE POSITION E [mm] | HOLE DIAMETER D1 [mm] | NOM LOAD COMPRESSION [N] | ITEM CODE |
|---------|-----------------------|---------------------|----------------------------|-----------------------------|--------------------------------|-----------|
| 110 | 109 | 12 | 70 | 14,5 | 70.000 | CF110 |
| 110AS | 109 | 17 | 70 | 14,5 | 70.000 | CF-AS110 |
| 180 | 179 | 12 | 139 | 14,5 | 120.000 | CF180 |
| * 180AS | 179 | 17 | 139 | 14,5 | 30.000 | CF-AS180 |

SPINDLE



| TYPE ▶ | 100 | 150 | 180 | 230 | W1 [mm] |
|----------------------|---------|---------|---------|---------|------------|
| THREAD | [N] | [N] | [N] | [N] | |
| M16 | 32.000 | 29.000 | 20.000 | 12.500 | 13 |
| M20 | 49.000 | 49.000 | 48.000 | 30.000 | 17 |
| M24 | 70.000 | 70.000 | 70.000 | 65.000 | 19 |
| M30 | 112.500 | 112.500 | 112.500 | 112.500 | 24 |
| M36 | 162.000 | 162.000 | 162.000 | 162.000 | 30 |
| M42 | 220.000 | 220.000 | 220.000 | 220.000 | 36 |
| HEIGHT A ▶ A [mm] | 96 | 152 | 185 | 234 | |



Total height = A + B
 Maximum nominal load = Lowest value for footplate or spindle
 Tolerance of height A = +/-1,5 mm
 AS = Anti-Slip

* Nom. load lower as this type is not vulcanized.



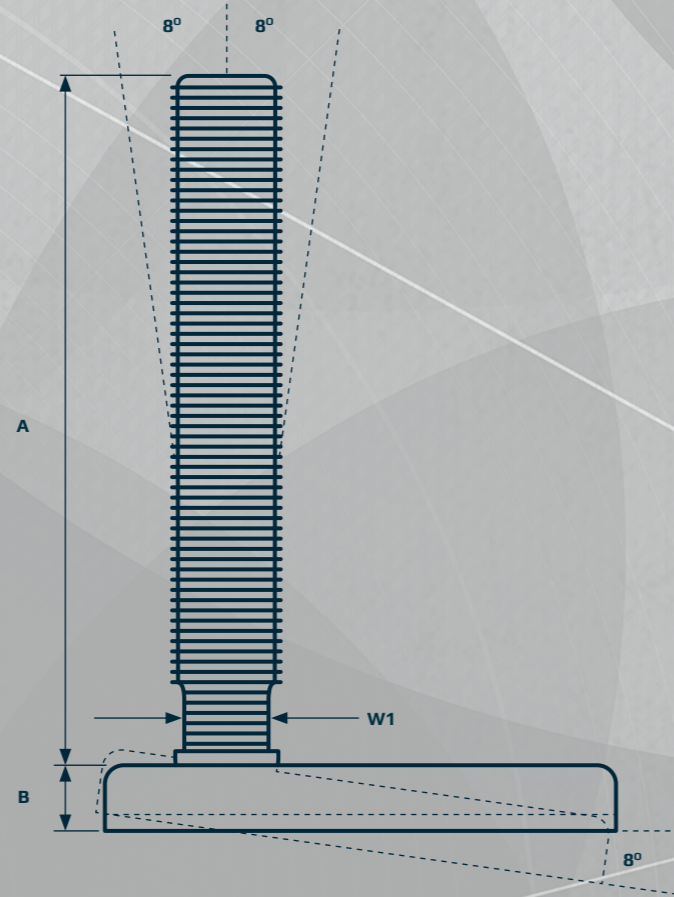
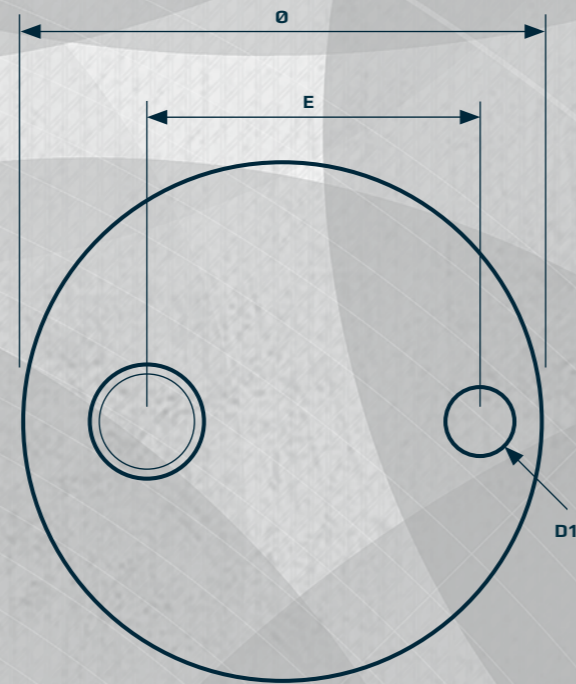
SOLID FULLY-THREADED KCF/KCF AS

The solid KCF levelling foot is the optimal choice for heavy machinery and equipment in diverse production environments.

The foot can easily be fastened to the floor by the decentered fixing hole in the footplate. Bolt, nut and washer can be supplied.

The joined connection between the decentered spindle and the footplate is designed for high load and flexible mounting on horizontal surfaces.

The KCF AS is supplied with anti-vibration and anti-slip NBR rubber (by request EPDM).



SOLID FULLY-THREADED LEVELLING FEET KCF/KCF AS



PRODUCT CODE **FOOT - THREAD - SPINDLE TYPE**

EXAMPLE KCF110-12-050

FOOT PLATE



| TYPE | DIAMETER Ø [mm] | HEIGHT B [mm] | HOLE POSITION E [mm] | HOLE DIAMETER D1 [mm] | NOM LOAD COMPRESSION [N] | ITEM CODE |
|-------|-----------------------|---------------------|----------------------------|-----------------------------|--------------------------------|------------|
| 110 | 109 | 17 | 70 | 14,50 | 100.000 | KCF110 |
| 110AS | 109 | 22 | 70 | 14,50 | 100.000 | KCF-AS1100 |

SPINDLE



| TYPE ▶ | 50 | 70 | 100 | 150 | 180 | 230 | 310 | W1 [mm] |
|--------------------|--------|---------|---------|---------|---------|---------|---------|------------|
| THREAD | [N] | [N] | [N] | [N] | [N] | [N] | [N] | |
| M12 | 17.000 | 17.000 | 17.000 | 8.000 | 5.000 | 3.000 | - | 10 |
| M16 | - | 32.000 | 32.000 | 29.000 | 20.000 | 12.500 | 7.500 | 13 |
| M20 | - | 49.000 | 49.000 | 49.000 | 48.000 | 30.000 | 15.000 | 17 |
| M24 | - | 70.000 | 70.000 | 70.000 | 70.000 | 65.000 | 35.000 | 19 |
| M30 | - | 112.500 | 112.500 | 112.500 | 112.500 | 112.500 | 95.000 | 24 |
| M36 | - | - | 162.000 | 162.000 | 162.000 | 162.000 | 162.000 | 30 |
| M42 | - | - | 220.000 | 220.000 | 220.000 | 220.000 | 220.000 | 36 |
| HEIGHT ▶ A [mm] | 54 | 68 | 102 | 144 | 177 | 227 | 310 | |



Total height
Maximum nominal load
Tolerance of height A
AS

= A + B
= Lowest value for footplate or spindle
= +/-1,5 mm
= Anti-Slip

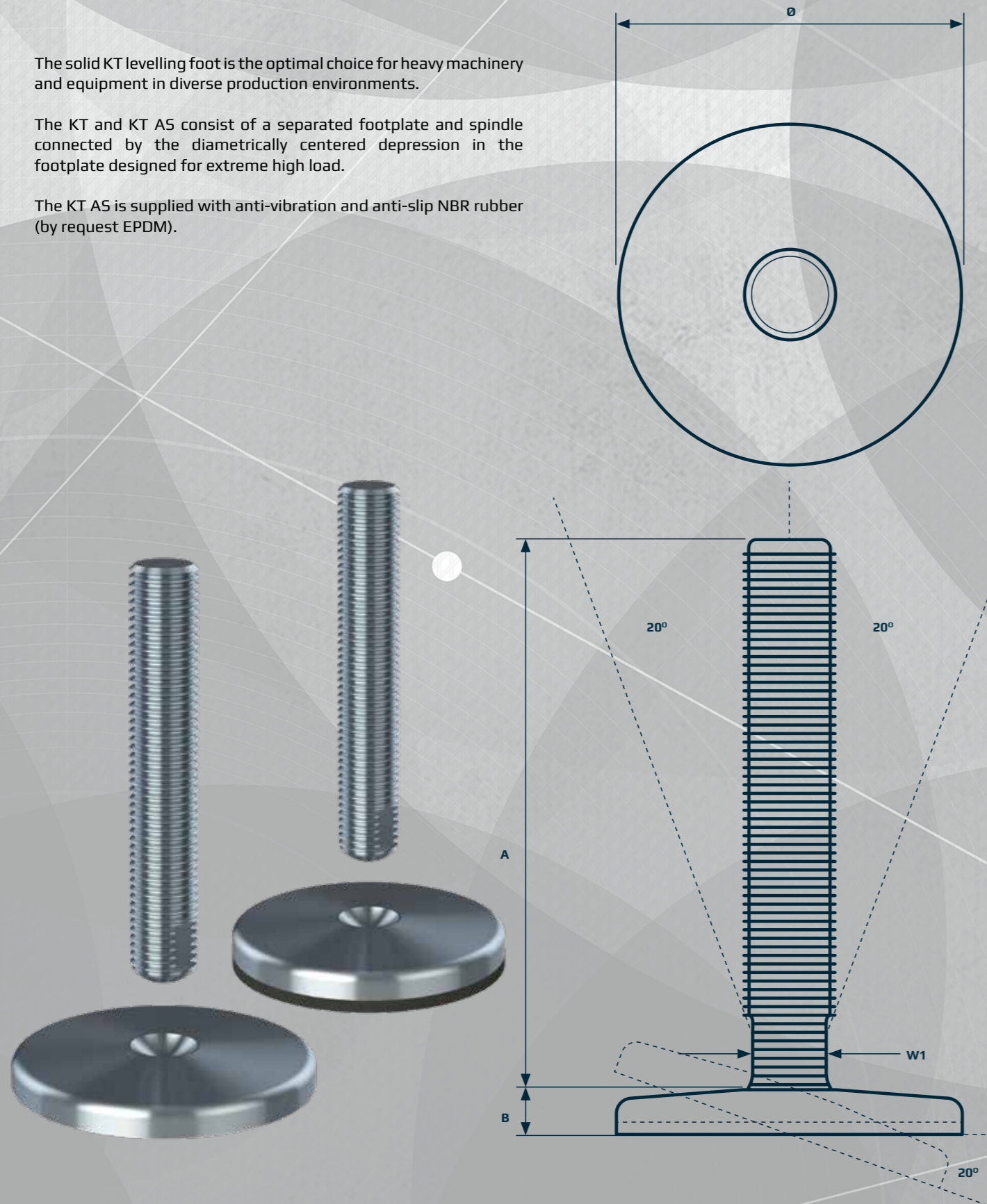


SOLID FULLY-THREADED KT/KT AS

The solid KT levelling foot is the optimal choice for heavy machinery and equipment in diverse production environments.

The KT and KT AS consist of a separated footplate and spindle connected by the diametrically centered depression in the footplate designed for extreme high load.

The KT AS is supplied with anti-vibration and anti-slip NBR rubber (by request EPDM).



SOLID FULLY-THREADED LEVELLING FEET KT/KT AS



FOOT PLATE



SPINDLE



| PRODUCT CODE | FOOT - THREAD - SPINDLE TYPE |
|--------------|------------------------------|
| EXAMPLE | KT090-12-50 |

| TYPE | DIAMETER Ø [mm] | HEIGHT B [mm] | NOM LOAD COMPRESSION [N] | ITEM CODE |
|-------|-----------------------|---------------------|--------------------------------|-----------|
| 90 | 89 | 9 | 120.000 | KT090 |
| 90AS | 89 | 14 | 30.000 | KT-AS090 |
| 110 | 109 | 11 | 140.000 | KT110 |
| 110AS | 109 | 16 | 30.000 | KT-AS110 |
| * 130 | 129 | 9 | 200.000 | KT130 |
| 130AS | 129 | 16 | 30.000 | KT-AS130 |
| * 150 | 149 | 9 | 200.000 | KT150 |
| 150AS | 149 | 14 | 30.000 | KT-AS150 |
| * 180 | 179 | 9 | 200.000 | KT180 |
| 180AS | 179 | 14 | 30.000 | KT-AS180 |

| TYPE ▶ | 50 | 70 | 100 | 150 | 180 | 230 | 310 | W1 [mm] |
|------------------|--------|---------|---------|---------|---------|---------|---------|------------|
| THREAD | [N] | [N] | [N] | [N] | [N] | [N] | [N] | |
| M12 | 17.000 | 17.000 | 17.000 | 8.000 | 5.000 | 3.000 | - | 10 |
| M16 | - | 32.000 | 32.000 | 29.000 | 20.000 | 12.500 | 7.500 | 13 |
| M20 | - | 49.000 | 49.000 | 49.000 | 48.000 | 30.000 | 15.000 | 17 |
| M24 | - | 70.000 | 70.000 | 70.000 | 70.000 | 65.000 | 35.000 | 19 |
| M30 | - | 112.500 | 112.500 | 112.500 | 112.500 | 112.500 | 95.000 | 24 |
| M36 | - | - | 162.000 | 162.000 | 162.000 | 162.000 | 162.000 | 30 |
| M42 | - | - | 220.000 | 220.000 | 220.000 | 220.000 | 220.000 | 36 |
| HEIGHT A [mm] | 50 | 70 | 100 | 150 | 180 | 230 | 310 | |

Total height = A + B
 Maximum nominal load = Lowest value for footplate or spindle
 Tolerance of height A = +/- 1,5 mm
 AS = Anti-Slip

* Footplates 130, 150 and 180 are only supplied with spindles M30, M36 and M42



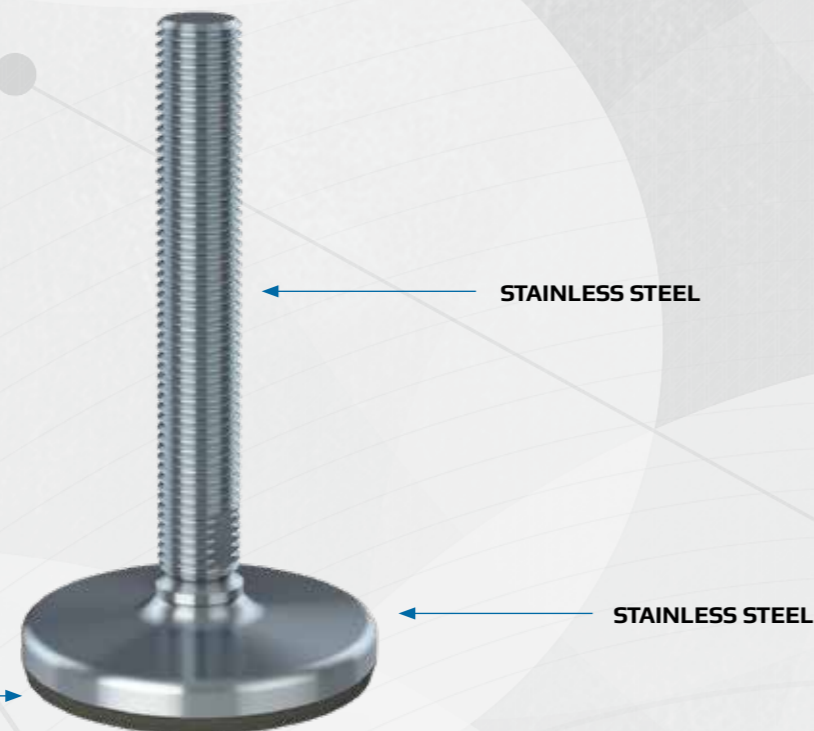
DECLARATION OF CONFORMITY SOLID FULLY-THREADED LEVELLING FEET



NGI fundamentally adheres to all applicable directives and standards. All information is based on the current state of knowledge and is subject to change. We attentively follow the revisions and amendments to these directives and will design our products accordingly. This ensures that products from NGI are always in compliance with currently valid requirements.

Our product category is not covered by the scope of application of the EC directive for machinery. For this reason, they cannot be furnished with the CE marking in accordance with the EC directive for machinery.

Furthermore, we declare that the listed materials applied in our products comply with the demands for materials used within the food and pharmaceutical industries.



DECLARATION OF CONFORMITY SOLID FULLY-THREADED LEVELLING FEET

The declaration of materials concerns the following Applications

Application:

Material type:

Steel components, e.g. spindle, sleeve and cover for foot

Stainless steel, AISI 304/A2 (X5CrNi18-10), Euro norm 1.4301.

By request: Stainless steel, AISI 316/A4 (X 5 CrNiMo 17 12 2), Euronorm 1.4401

Compliance:

EN 10204 Type 2.2. NGI A/S states that the product is in compliance with the order with indication of results of nonspecific inspection.

NGI A/S has got EN 10204 type 3.1 inspection certificates on all material used in the products but not specified for each foot.

In the directive 94/9/EC, Equipment for potentially explosive atmospheres, also known as the ATEX directive, equipment without its own potential source of ignition are not covered, nor shall be marked according to the directive. However, NGI levelling feet are suitable for use in all ATEX zones.

Application:

Material type:

Anti-slip rubber for HXG AS, HXJ AS, HXGT AS and HXJT AS

NBR (NNF-75)

Color:

Black

Hardness:

72 ± 3 Shore A DIN 53 505

Range of temperature:

Min -35°C to Max +110°C

Compliance:

REACH:

In accordance with regulation EC 1907/2006.

Do not contain any substances above 0.1% (w/w) from:

The Candidate List of Substances of Very High Concern (16.01.2020).

Annex XVII (19-11-2019)

RoHS 2 & RoHS 3:

In accordance with the directive 2011/65/EC and 2015/863/EC OF EUROPEAN PARLIAMENT AND OF THE COUNCIL.

ADI free:

Does not contain any substances originating from humans or animals.

Bisphenols:

Does not contain Bisphenols as described in 1895/2005/EEC. Nor BPA, BADGA, BFDGE or NOGE.

ODS:

Does not contain ozone depleting substances. In accordance with the Regulation EC 1005/2009 OF EUROPEAN PARLIAMENT AND OF THE COUNCIL OF 16 SEPTEMBER 2009 and Regulation EC 2037/2000 OF EUROPEAN PARLIAMENT AND OF THE COUNCIL OF 29 JUNE 2000.

Conflict

Materials:

In accordance with US Law: "Dodd Frank Wall Street Reform & Consumer Protection Act", sec. 1502, of 21.07.2010.

GMP:

Good manufacturing process in accordance with 2023/2006 EC.

Hazardous materials:

Does not contain any hazardous substances as described in the Hong Kong International Convention for the Safe and Environmental Sound Recycling of ships, 2009.

Phthalates:

Does not contain phthalates.

FDA:

Guideline 21 CFR 177.2600

Application:

Material type:

Anti-slip rubber

NBR By request EPDM

Electrically:

Non-conductive

Chemical resistance:

High to commonly applied cleaning agents

Color:

Black

Hardness:

Shore A 80 ± 5

Range of temperature:

Min -20 °C to Max 110 °C

Load:

Low load capacity